

TWIN CHANNELS PROFESSIONAL WIRELESS MICROPHONE SYSTEM

KRIEG® KDC-400

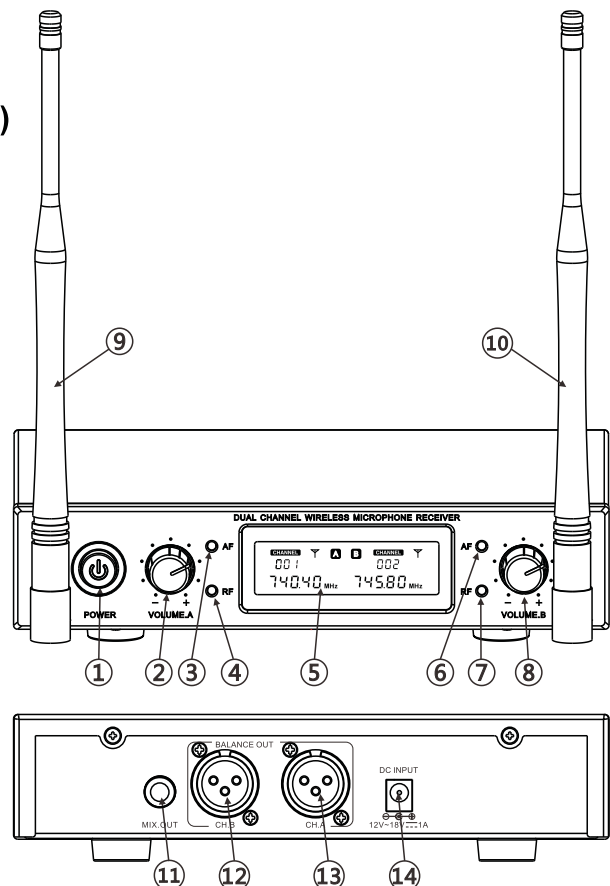
*Before using the machine please
Read this owner's manual*

UHF

OPERATION MANUAL

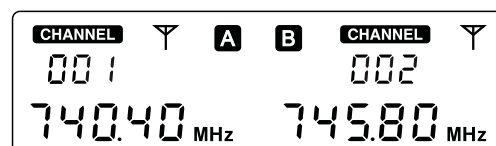
I. CONTROL AND FUNCTION LIST(RECEIVER)

1. Power switch
2. Volume-A
3. Channel A --AF indicator
4. Channel A --RF indicator
5. LCD display
6. Channel B--AF indicator
7. Channel B--RF indicator
8. Volume-B
9. Antenna A
10. Antenna B
11. Mix output socket
12. Balanced output socket B
13. Balanced output socket A
14. DC power input socket



II. LCD DISPLAY INSTRUCTION

- CHANNEL**
001 indicating using channel
- 740.40 MHz indicating using frequency
- A** **B** indicating channel A/B



III. CONTROL AND FUNCTION LIST

(HANDHELD)

- 1.Grille
- 2.LCD display
- 3.Power switch
- 4.Battery tank
- 5.Battery cover

(BODY-PACK)

- | | |
|-----------------|-------------------|
| 1.Microphone | 5.Power indicator |
| 2.Input socket | 6.Antenna |
| 3.Volume adjust | 7.LCD display |
| 4.Power switch | 8.Battery tank |
| | 9.Battery cover |

IV. OPERATION OF THE RECEIVER

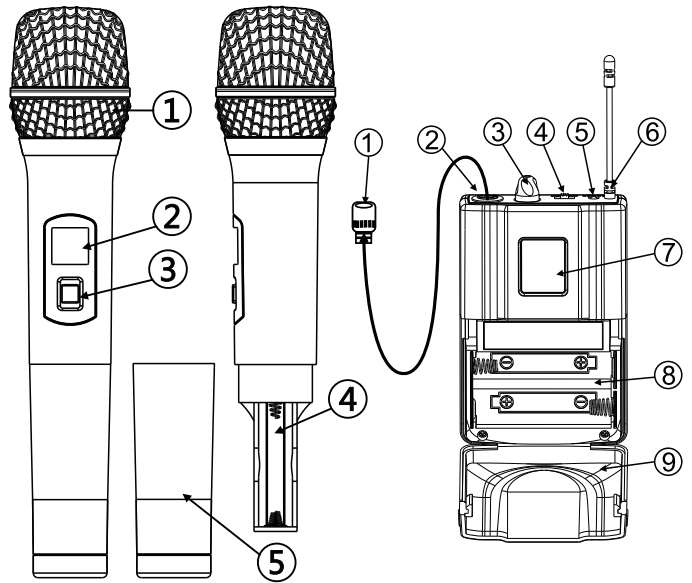
- 1.Pull out antenna A & B, make them be perpendicular with the machine.
2. Connection of the audio output
 - ◆Mix output: Connect one end of the audio cable into mix output socket ,and other end connect to amplifier or mixer.
 - ◆Separate output: Connect one end of the audio cable into "CH.A " socket ,and other end connect to amplifier or mixer. Same operation of channel B.
3. Turn on the receiver, the LCD will light.
4. Adjust the volume to zero before turn on the receiver.

V. OPERATION OF THE MICROPHONE/BODYPACK

- 1.Open the battery cover, then put in 2x1.5V AA batteries. Attention: The polarity should be right.
- 2.When turn on the microphone, if the low battery power indicator light, please change the new batteries.

SYSTEM COMPOSITION

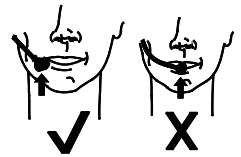
1. Receiver.....x1
2. Handheld microphones..x2
(or bodypack.....x2)
3. Audio cable.....x1
4. 1.5V AA Battery.....x4
5. Operation manual.....x1



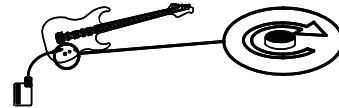
INSTRUMENT ADAPTER CABLE FOR



1.HEADSET 2.GUITAR 3.LAVALIER



HEADSET GIRD MEANS



INSTRUMENT ADAPTER CABLE FOR GUITAR

VI. SPECIFICATION

1. COMPREHENSIVE PERFORMANCE

CARRIER FREQUENCY:	UHF 500-950 MHz
DYNAMIC RANGE:	> 90dB
TOTAL HARMONIC DISTORTION:	< 0.4%
FREQUENCY RESPONSE:	40Hz—15KHz±3dB

2. FIXED RECEIVER

POWER SUPPLY:	DC12V-18V
CONSUME POWER:	< 4 W
SIGNAL/NOISE RATIO:	> 95dB
IMAGE & SPURIOUS REJECTION:	> 80dB
BORDER UPON CHANNEL REJECTION:	> 80dB
RECEIVING SENSITIVITY:	7dsuV
DE-EMPHASIS:	75uS

3. HANDING MICROPHONE

TRANSMITTER POWER:	30mW
MODULATION TYPE :	FM
MAX DEVIATION:	±20KHz
SPURIOUS EMISSION:	> 50dB
BATTERY VOLTAGE:	3V(2x1.5v AA Battery)
CONTINUUM USING:	5 hours